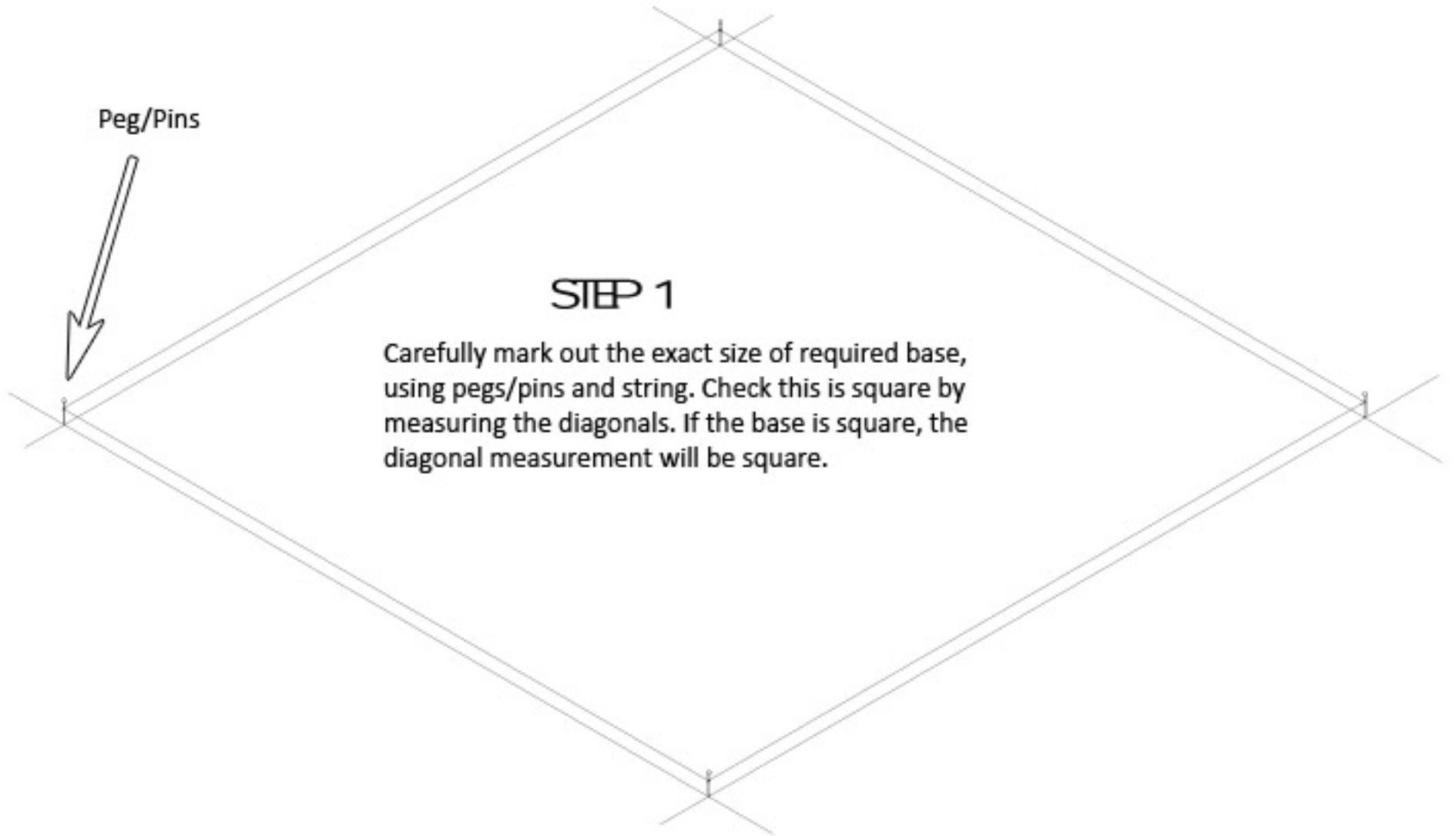


Peg/Pins



STEP 1

Carefully mark out the exact size of required base, using pegs/pins and string. Check this is square by measuring the diagonals. If the base is square, the diagonal measurement will be square.

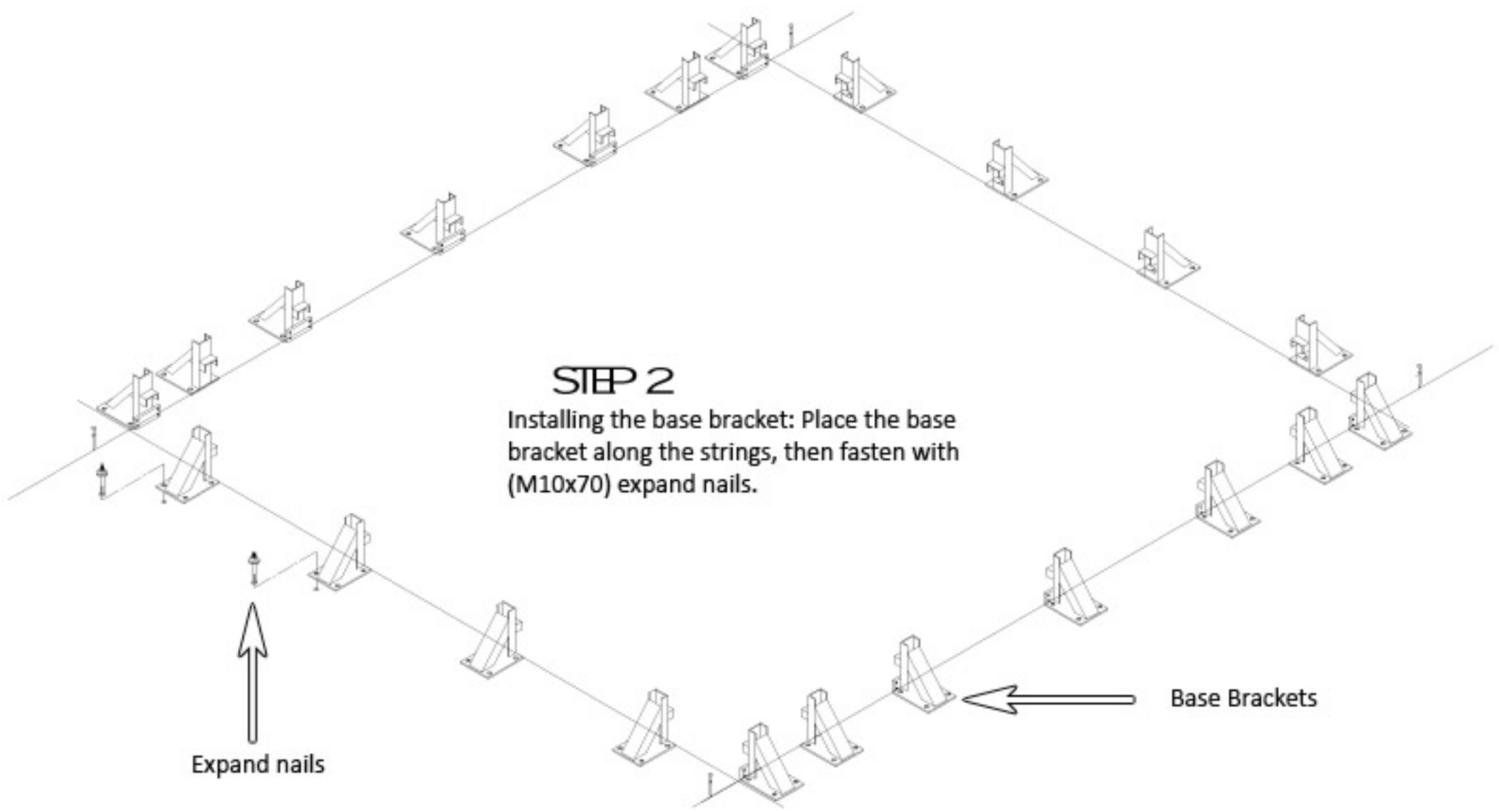


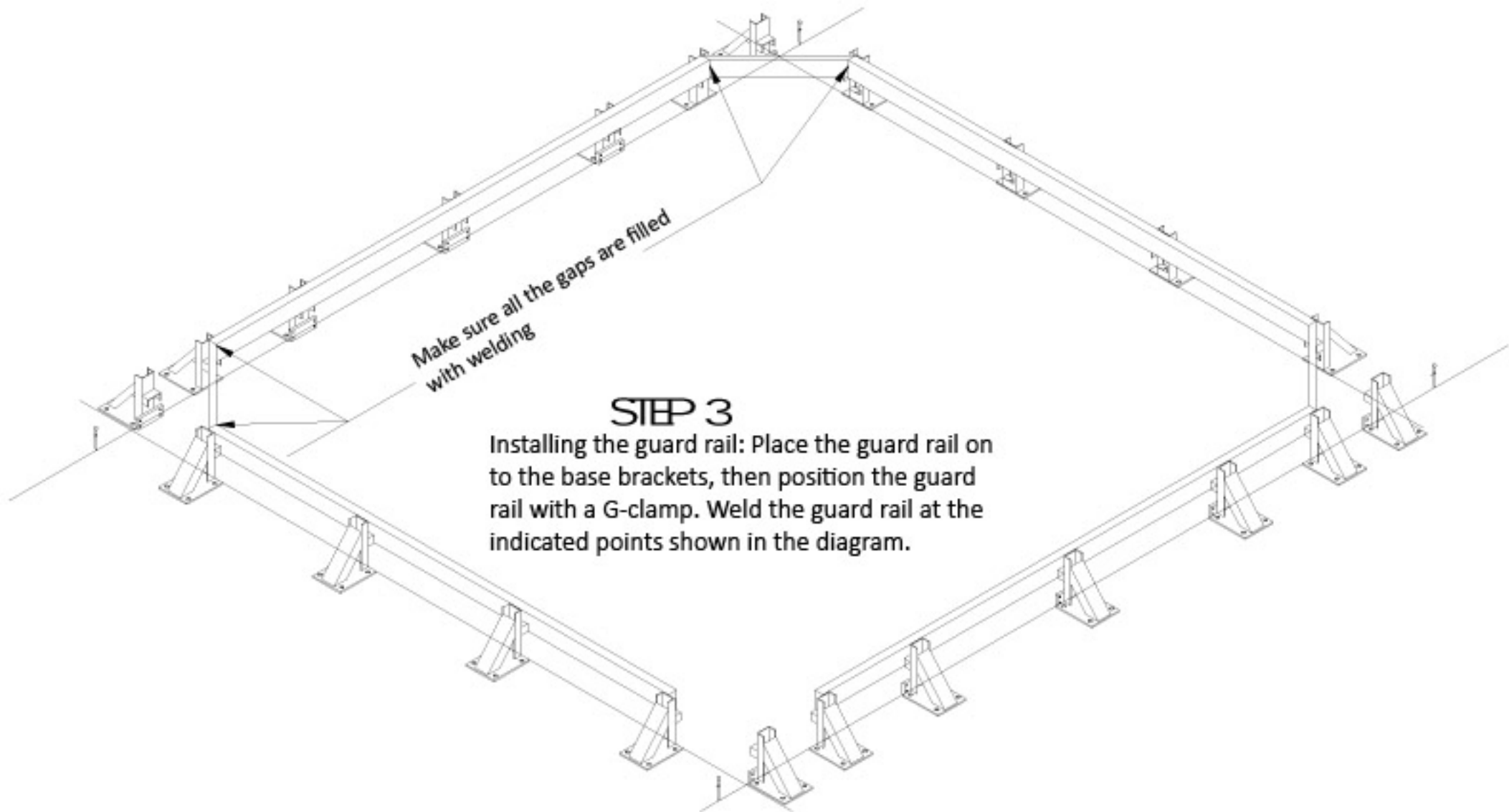
STEP 2

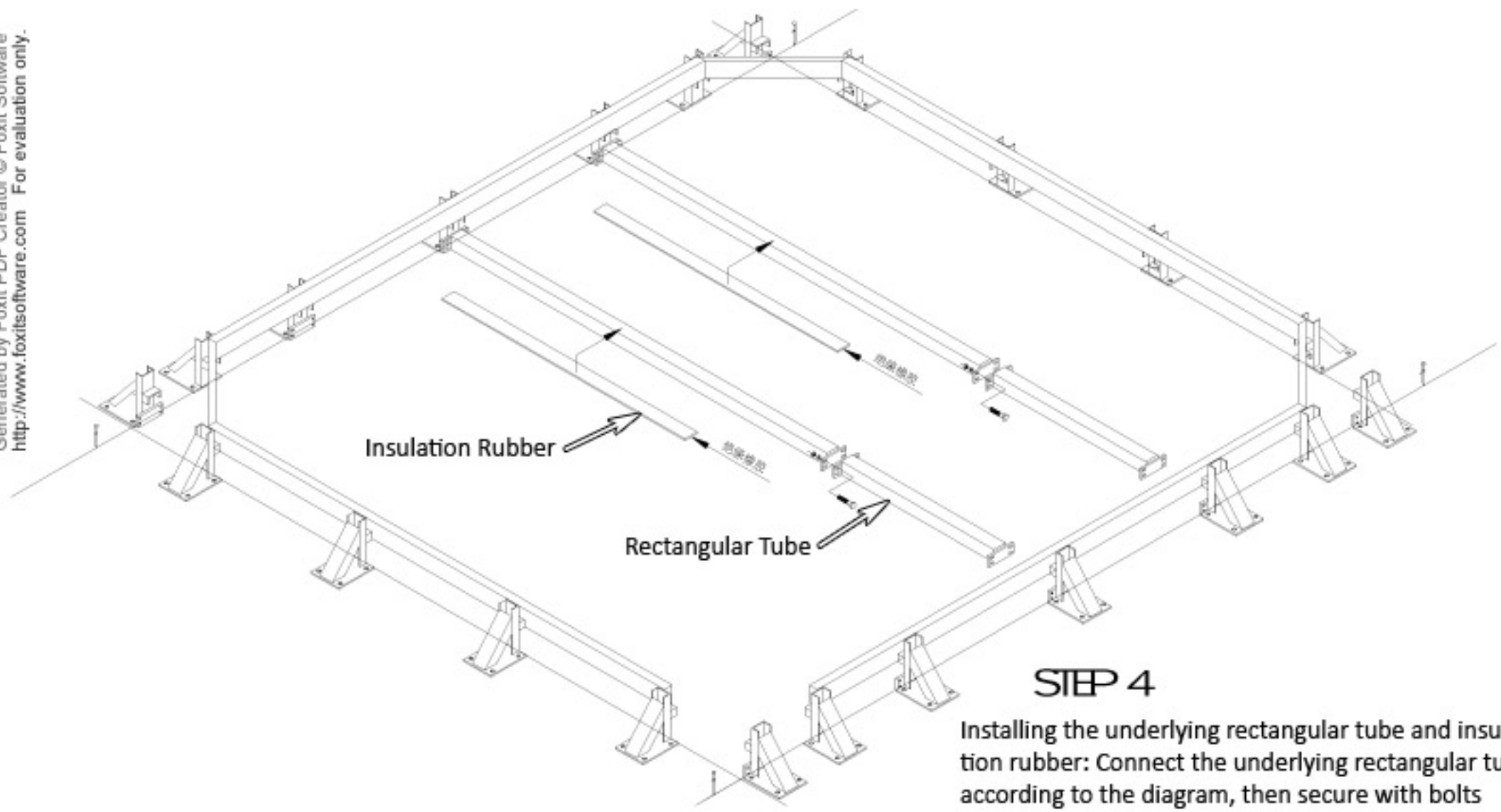
Installing the base bracket: Place the base bracket along the strings, then fasten with (M10x70) expand nails.

Expand nails

Base Brackets





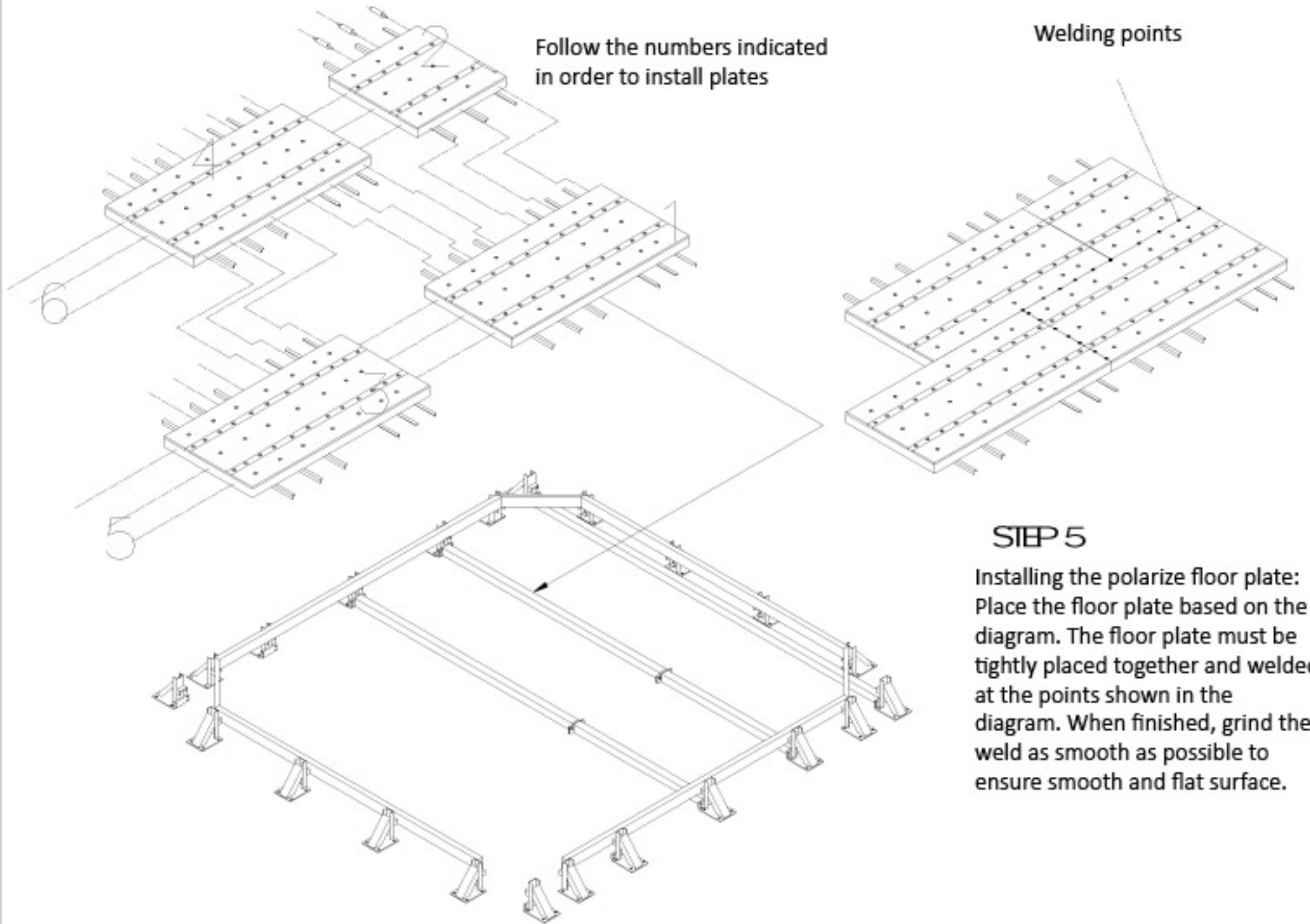


STEP 4

Installing the underlying rectangular tube and insulation rubber: Connect the underlying rectangular tube according to the diagram, then secure with bolts (M10x30). Apply enough glue on the top surface of the underlying rectangular tube and glue the insulation rubber on it.

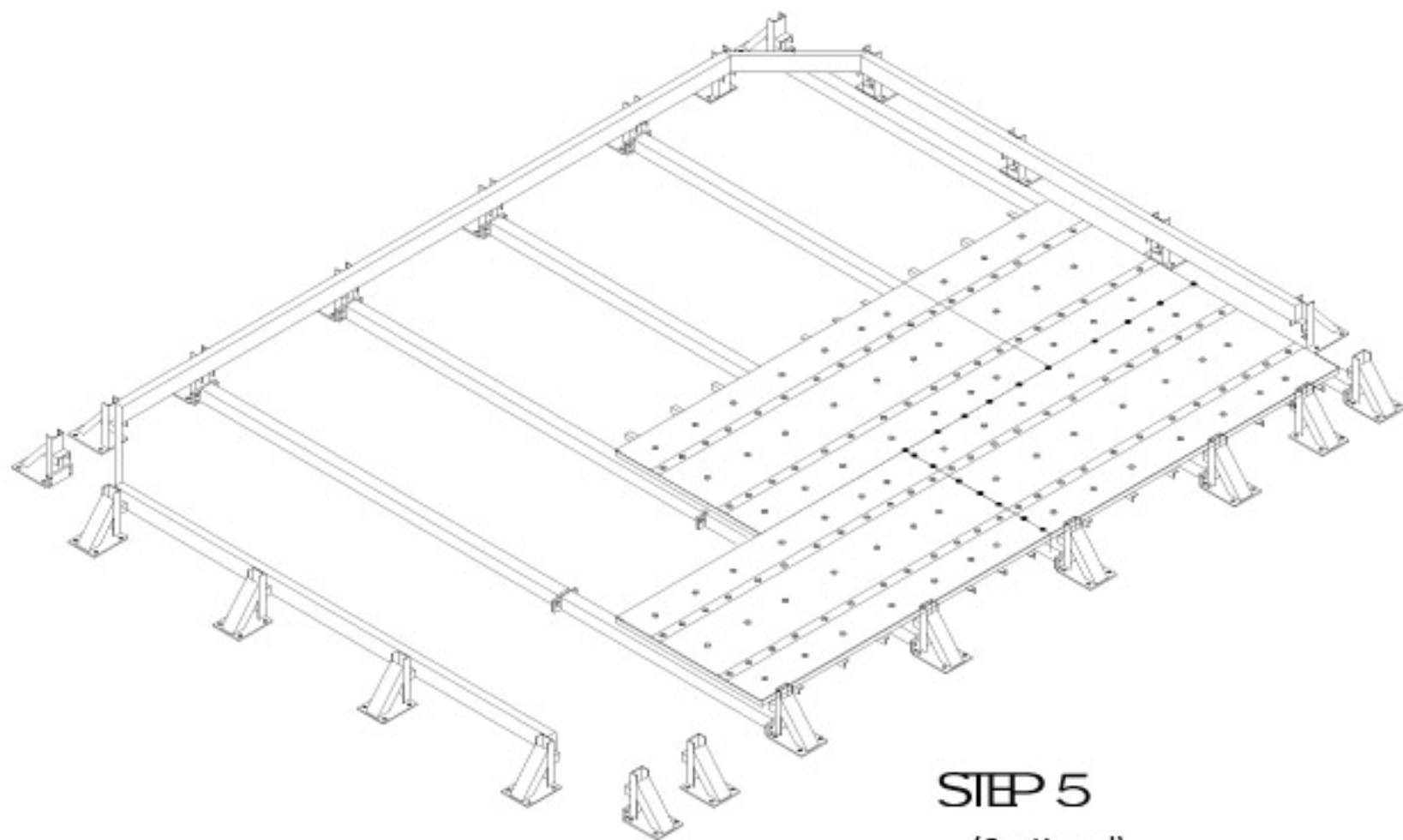
Follow the numbers indicated
in order to install plates

Welding points

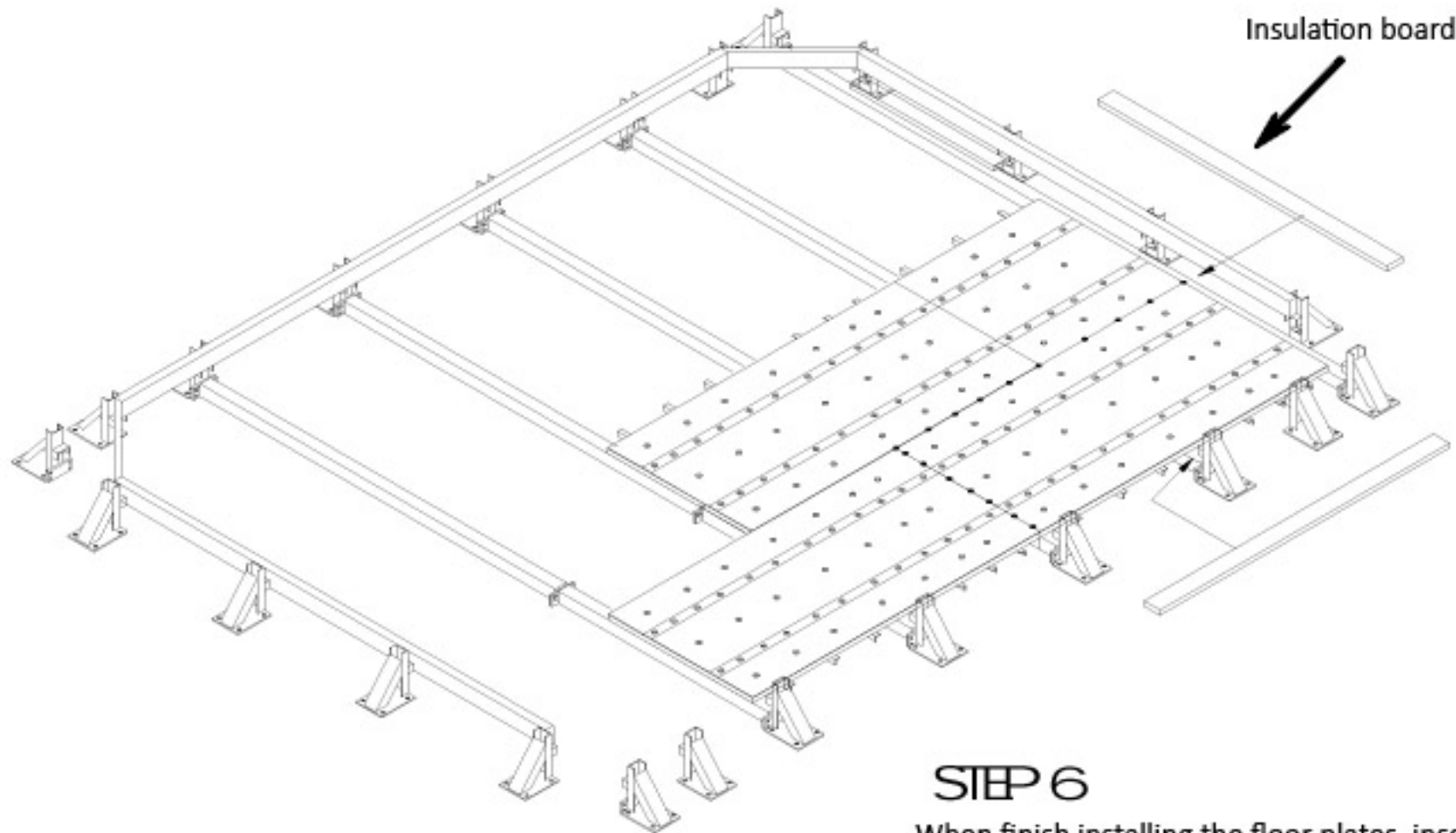


STEP 5

Installing the polarize floor plate:
Place the floor plate based on the
diagram. The floor plate must be
tightly placed together and welded
at the points shown in the
diagram. When finished, grind the
weld as smooth as possible to
ensure smooth and flat surface.

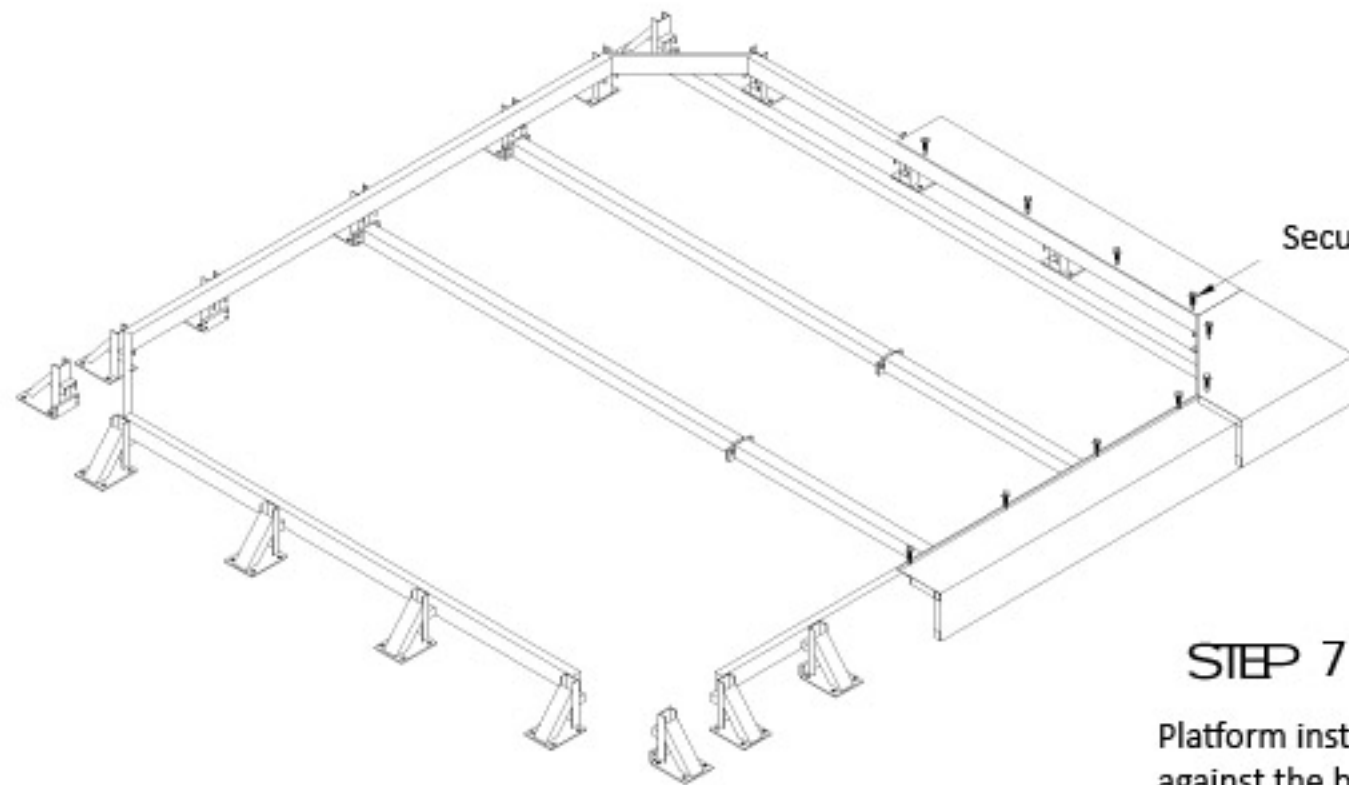


STEP 5
(Continued)



STEP 6

When finish installing the floor plates, insert insulation boards to fill the gaps between the guard rail and floor plate (along the sides).

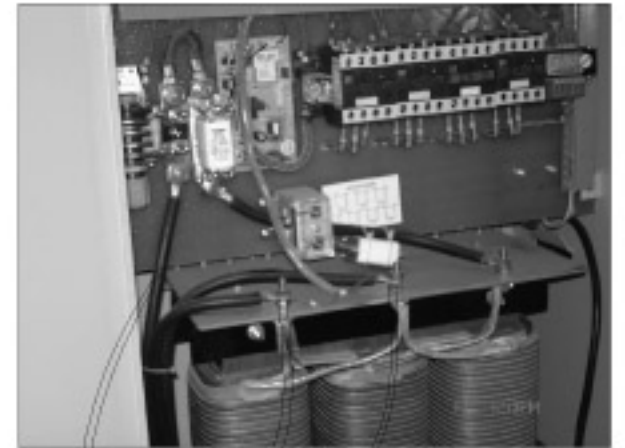


Secure with bolts (M5 5x20)

STEP 7

Platform installing: Place the platform against the base bracket and secure it with bolts (M5 5x20).

Bumper Car Control panel 2



Bumper Car 3 wiring instruction.

